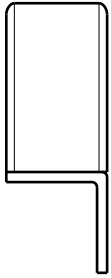
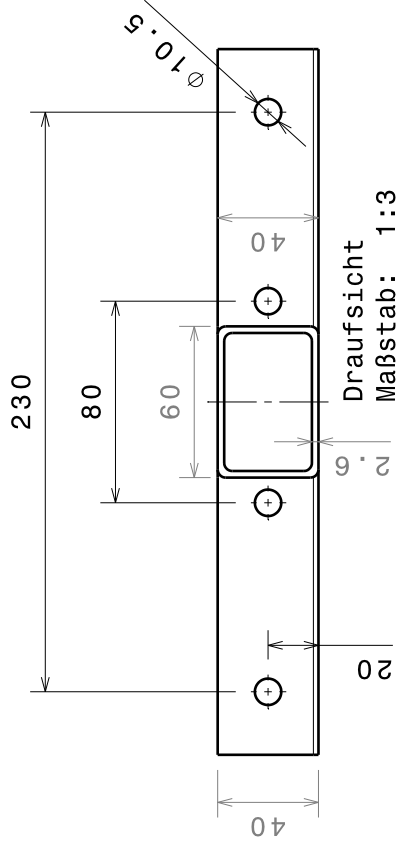


D C B A

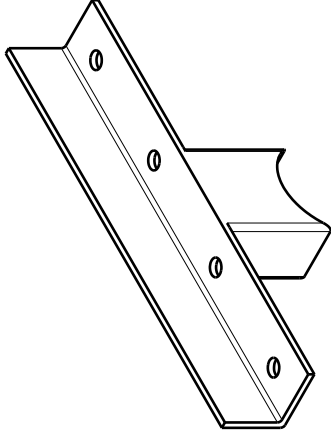
4 3 2 1



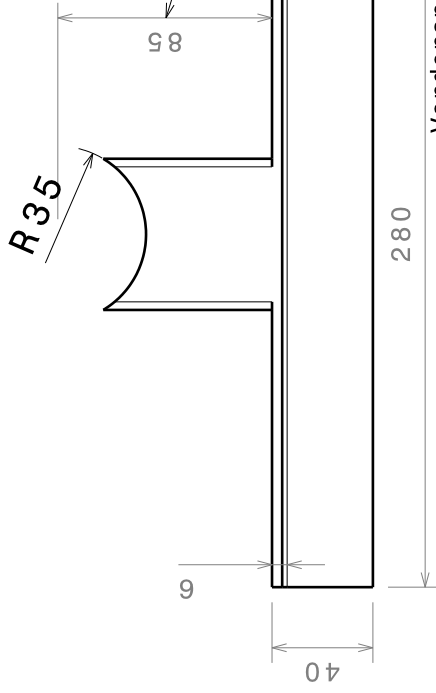
Seitenansicht rechts  
Maßstab: 1:3



Draufsicht  
Maßstab: 1:3



Isometrische Ansicht  
Maßstab: 1:4



Vorderansicht  
Maßstab: 1:3

Achtung, genaues Maß muß am Fahrzeug ermittelte

This drawing is our property.  
It can't be reproduced  
or communicated without  
our written agreement.

# Abstützung

## Material

1.4301 (V2A)

DRAWN BY  
JW

DATE

03.06.2016

CHECKED BY  
XXX

DATE

XXX

DESIGNED BY  
XXX

DATE

XXX

SIZE  
A4

DRAWING NUMBER  
001

REV  
X

SCALE  
1:3

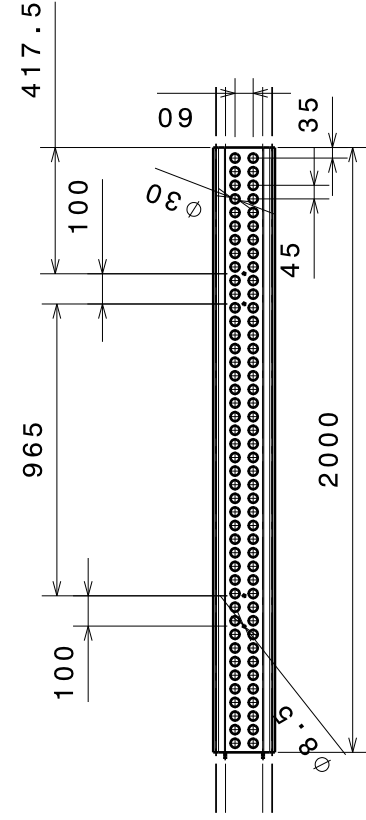
WEIGHT (kg)  
0,89

SHEET  
1/1

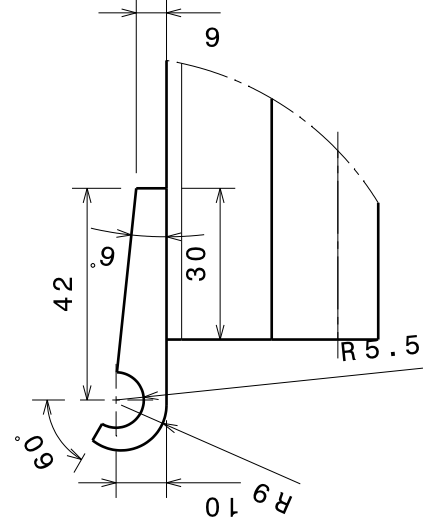
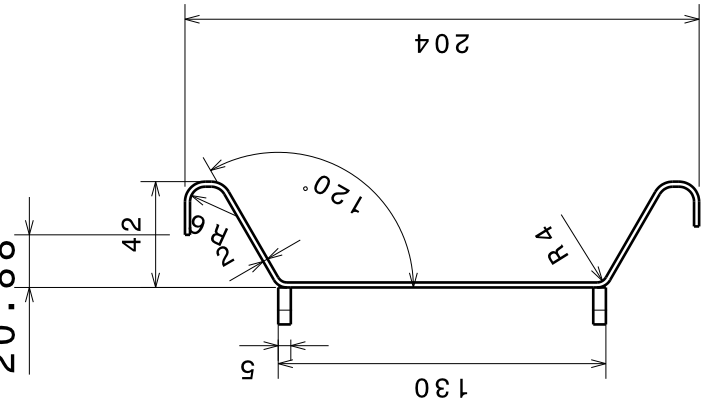
D A

4 3 2 1

A A A A



Draufsicht  
Maßstab: 1:25



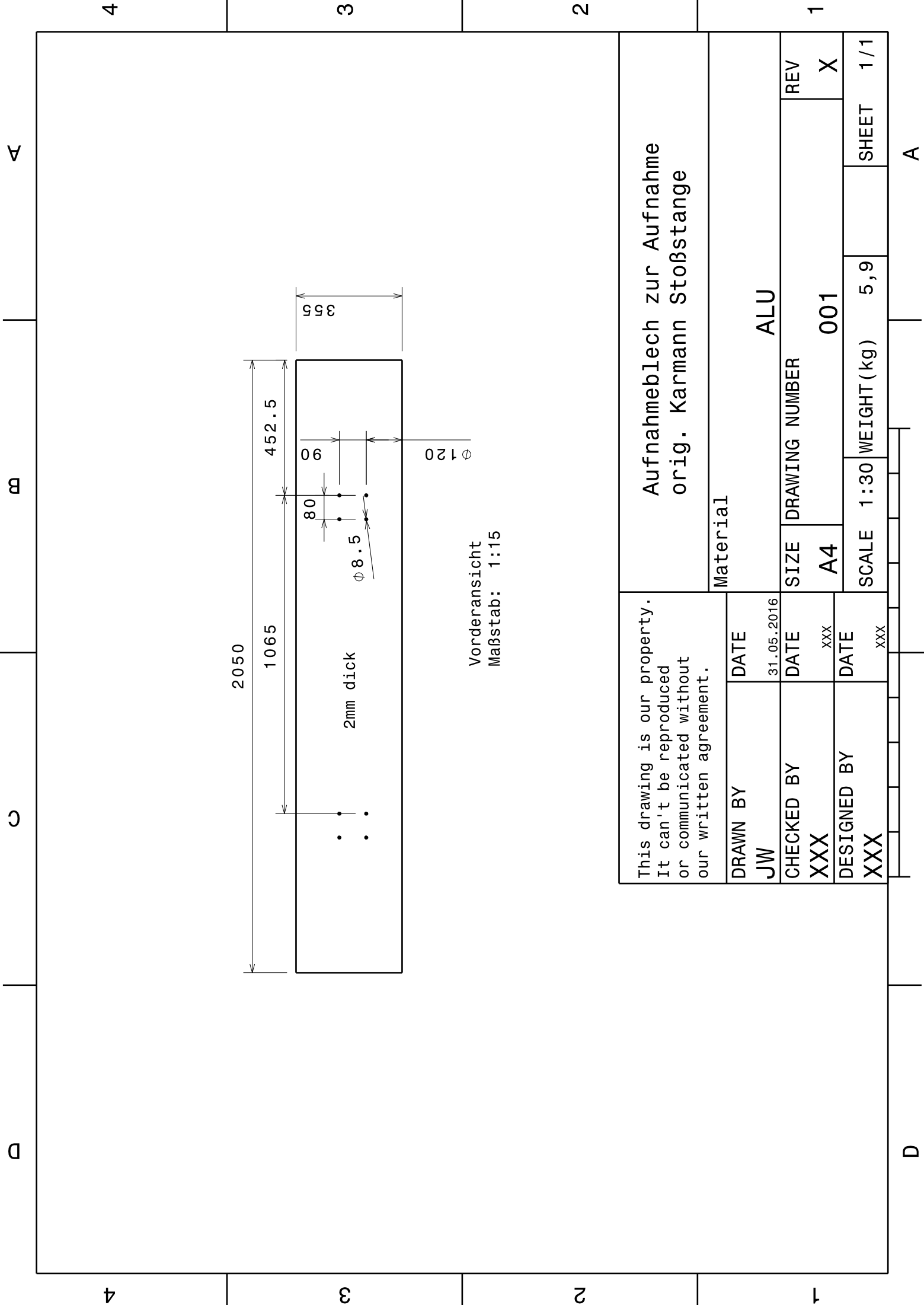
This drawing is our property.  
It can't be reproduced  
or communicated without  
our written agreement.

DRAWN BY	DATE
JW	24.05.2016
CHECKED BY	DATE
XXX	XXX
DESIGNED BY	DATE
XXX	XXX

Material		1.4301 (V2A)	
		SIZE	DRAWING NUMBER
A4	001	REV	X
SCALE	1:1	WEIGHT (kg)	7,75
SHEET		1/1	

# Auffahrrampe

D A A A



This drawing is our property.  
It can't be reproduced  
or communicated without  
our written agreement.

DRAWN BY	DATE
JW	31.05.2016
CHECKED BY	DATE
XXX	XXX
DESIGNED BY	DATE
XXX	XXX

Aufnahmeblech zur Aufnahme  
orig. Karmann Stoßstange

Material	
ALU	
SIZE	DRAWING NUMBER
A4	001
SCALE	WEIGHT (kg)
1:30	5,9
SHEET	REV
1/1	X

A

4

3

2

1

A

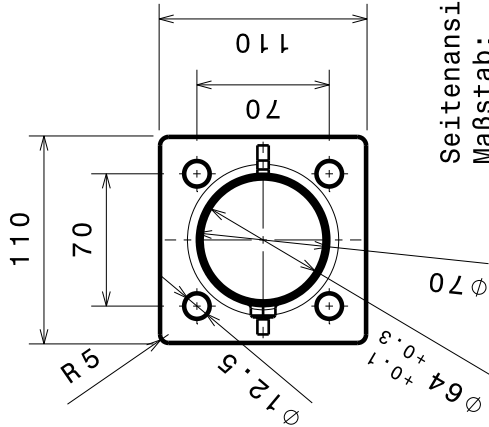
4

3

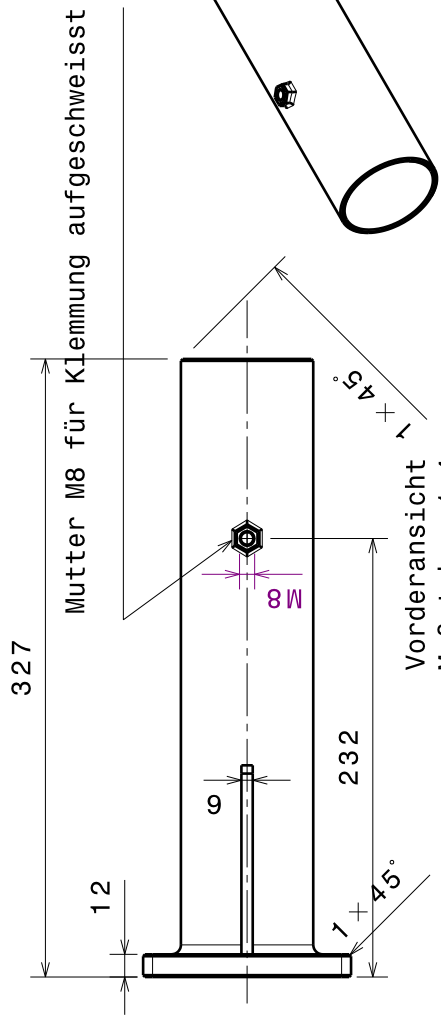
2

1

A

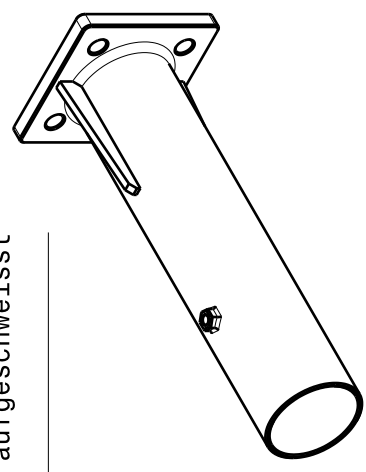


Seitenansicht rechts  
Maßstab: 1:4

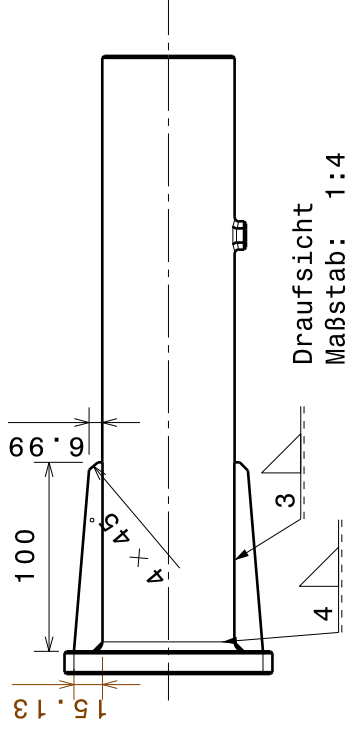


Vorderansicht  
Maßstab: 1:4

Mutter M8 für Klemmung aufgeschweisst



Isometrische Ansicht  
Maßstab: 1:5



Draufsicht  
Maßstab: 1:4

This drawing is our property.  
It can't be reproduced  
or communicated without  
our written agreement.

# Aufnehmerohr

DRAWING TITLE

DRAWN BY	DATE
JW	24.05.2016
CHECKED BY	DATE
XXX	XXX
DESIGNED BY	DATE
XXX	XXX

XXX

SIZE Material

1.4301 (V2A)

REV X

SCALE 1:1 WEIGHT (kg) 2,45

SHEET 1/1

D

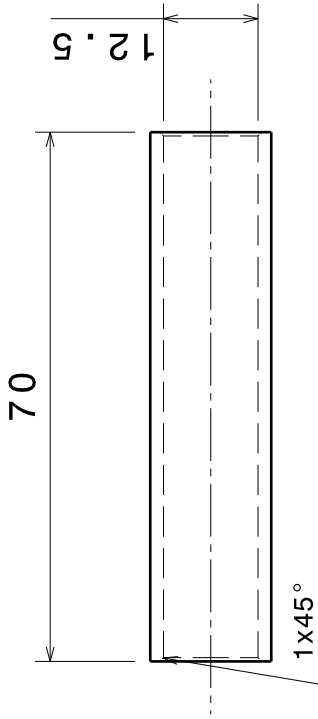
A

4 3 2 1 A

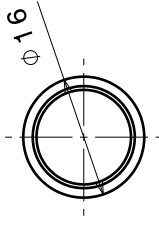
∞

C

D



Seitenansicht rechts  
Maßstab: 1:1



Vorderansicht  
Maßstab: 1:1

This drawing is our property.  
It can't be reproduced  
or communicated without  
our written agreement.

DRAWN BY	DATE
JW	25.05.2016
CHECKED BY	DATE
XXX	xxx
DESIGNED BY	DATE
XXX	xxx

# Distanzhueelse

## Material

1.4301 (V2A)

SIZE	DRAWING NUMBER	REV
A4	001	X
SCALE	1:1	WEIGHT (kg)
		0,043
		SHEET
		1/1

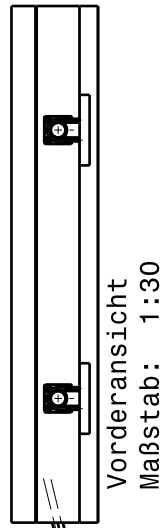
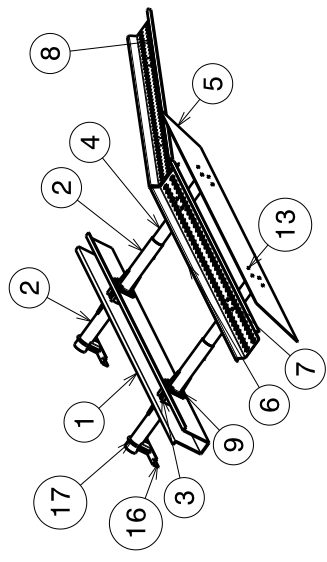
4 3 2 1 A

D

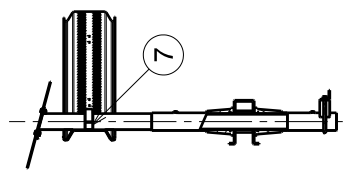
A

4 3 2 1 A

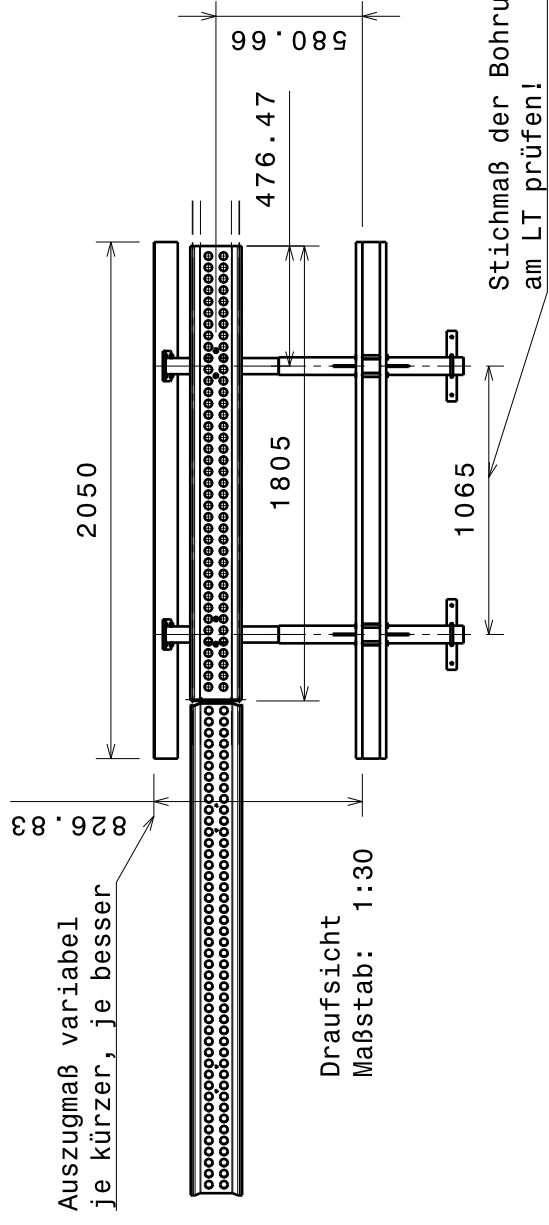
Isometrische Ansicht  
Maßstab: 1:40



Vorderansicht  
Maßstab: 1:30



Seitenansicht  
Maßstab: 1:30



Draufsicht  
Maßstab: 1:30

This drawing is our property.  
It can't be reproduced  
or communicated without  
our written agreement.

DRAWN BY	DATE
JW	24.05.2016
CHECKED BY	DATE
XXX	XXX
DESIGNED BY	DATE
XXX	XXX

Motorradträger komplett  
DRAWING TITLE  
ausgezogen mit Rampe

SIZE	DRAWING NUMBER	REV
A4	001	X
SCALE	1:1	WEIGHT (kg)
		48,9
SHEET		1/1

D A

A

B

C

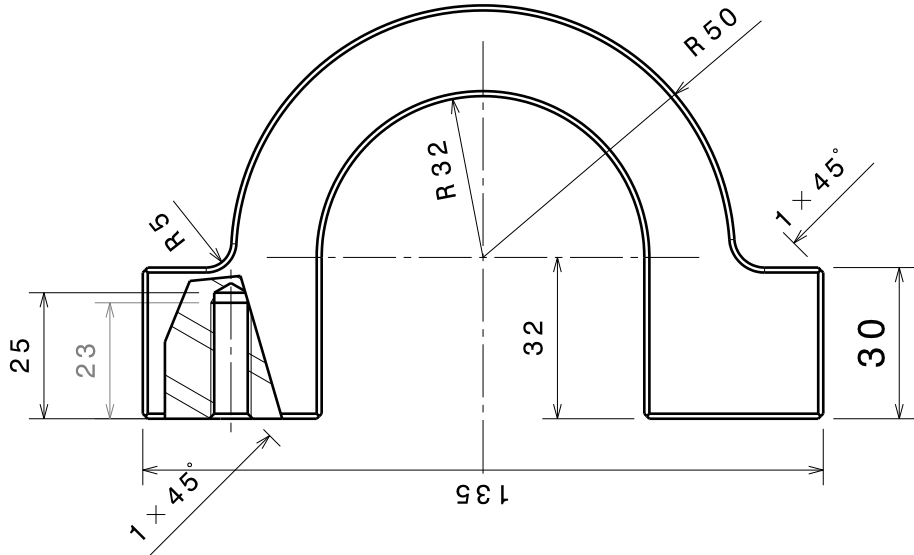
D

4

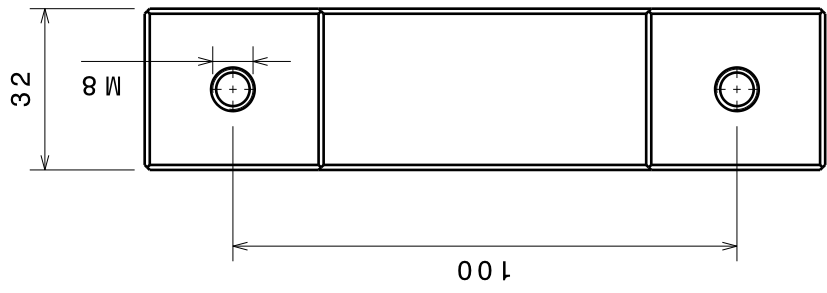
3

2

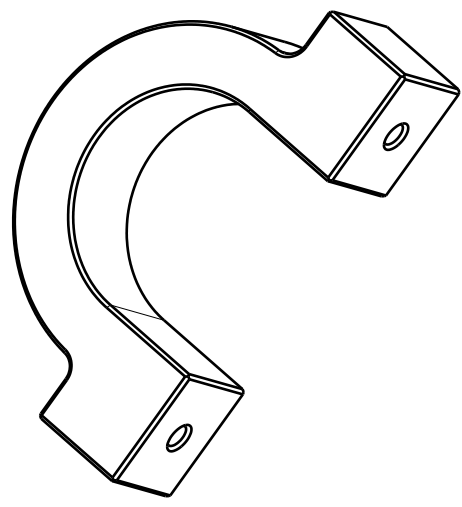
1



Seitenansicht Links  
Maßstab: 2:3



Vorderansicht  
Maßstab: 2:3



Isometrische Ansicht  
Maßstab: 1:2

This drawing is our property.  
It can't be reproduced  
or communicated without  
our written agreement.

# Halteklammer

DRAWN BY JW	DATE 24.05.2016
CHECKED BY XXX	DATE XXX
DESIGNED BY XXX	DATE XXX

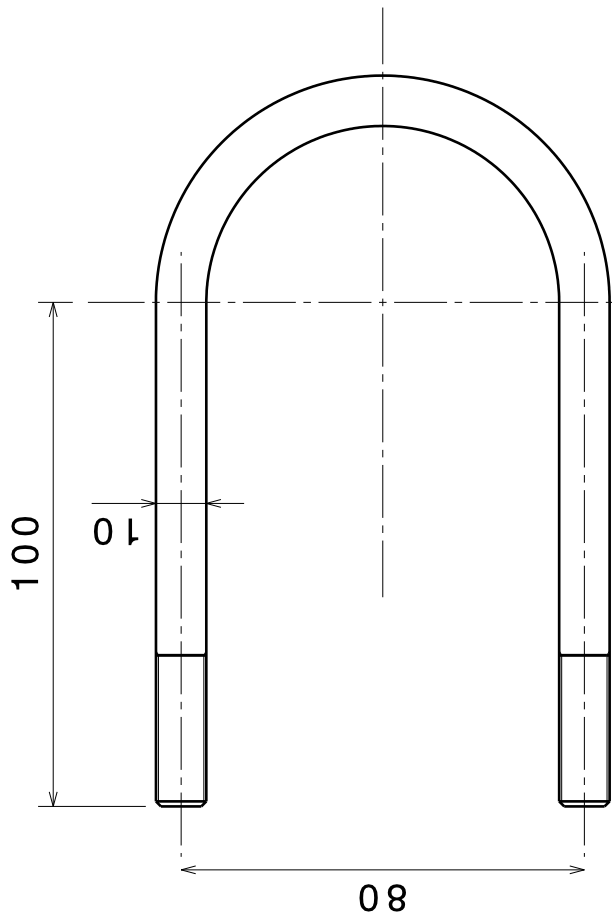
Material Alu

SIZE A4	DRAWING NUMBER 001	REV X
SCALE 1:1	WEIGHT (kg) XXX	SHEET 1/1

D

A

4 3 2 1 A D



Seitenansicht rechts  
Maßstab: 2:3

Vorderansicht  
Maßstab: 2:3

This drawing is our property.  
It can't be reproduced  
or communicated without  
our written agreement.

DRAWN BY	DATE
JW	08.06.2016
CHECKED BY	DATE
XXX	xxx
DESIGNED BY	DATE
XXX	xxx

Material		1,4301 (V2A)	
		SIZE	DRAWING NUMBER
A4	001	REV	X
SCALE	1:1	WEIGHT (kg)	0,2
		SHEET	1/1

# Schelle

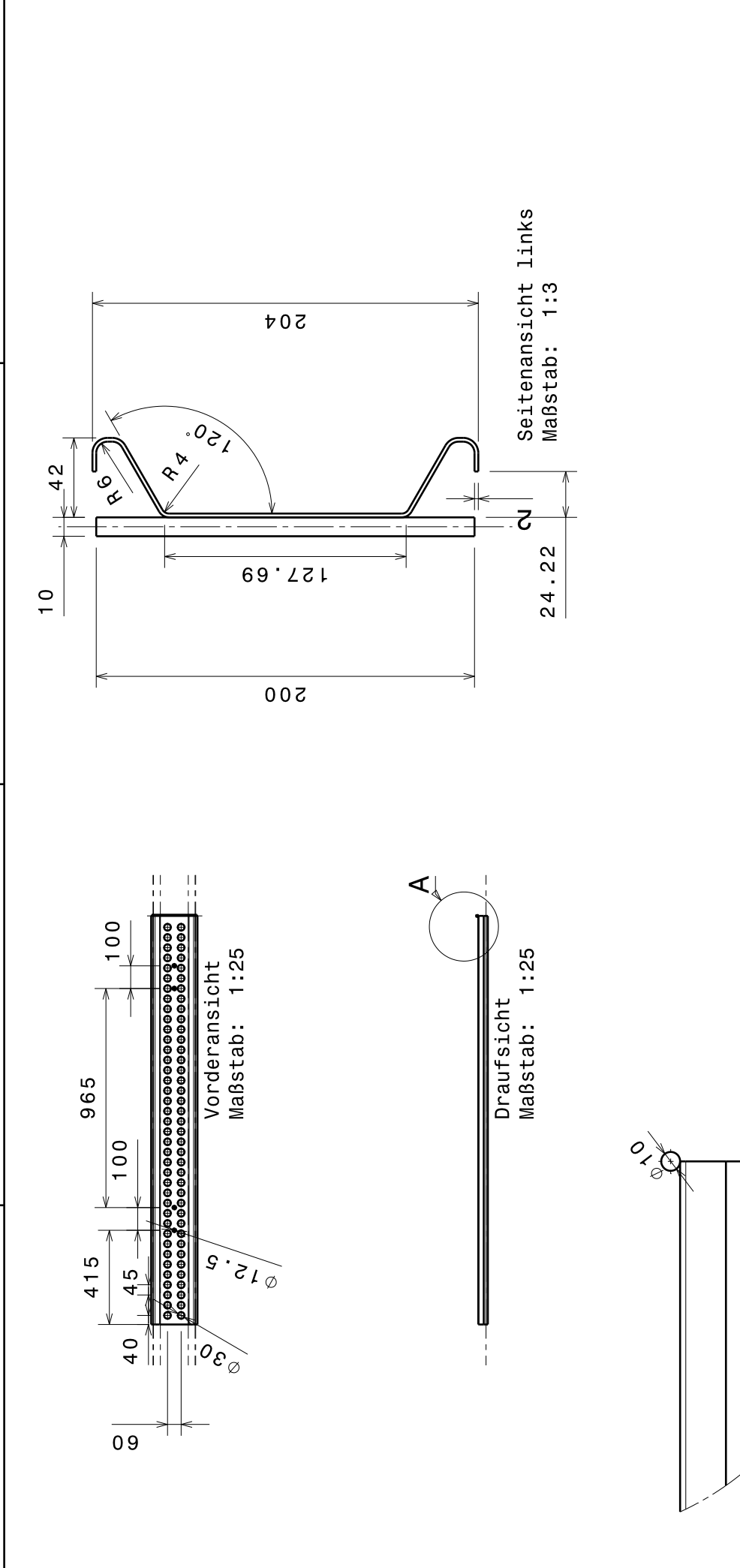
4 3 2 1 A D



Stückliste: Motorradraeger

Nummer	Menge	Teilenummer
1	1	Traverse_LT
2	4	Aufnahmerohr
3	8	Distanzhueelse
4	2	Traegerrohr
5	1	Aufnahmeblech_Stoßstange
6	1	Profil.2
7	2	Halteklammer
8	1	Profil.1
9	8	ISO 4016 BOLT M12X120 STEEL GRADE C HEXAGON HEAD
10	8	ISO 7090 WASHER 12X24 STEEL GRADE A PLAIN CHAMFERED NORMAL SERIES
11	8	ISO 4032 NUT M12 STEEL GRADE A HEXAGON
12	4	ISO 10642 SCREW M8X20 STEEL HEXAGON SOCKET COUNTERSUNK HEAD
13	8	ISO 4017 SCREW M8X16 STEEL GRADE A HEXAGON HEAD
14	8	ISO 7089 WASHER 8X16 STEEL GRADE A PLAIN NORMAL SERIES
15	8	ISO 4032 NUT M8 STEEL GRADE A HEXAGON
16	2	Abstuetzung
17	2	Schelle
18	4	ISO 7089 WASHER 10X20 STEEL GRADE A PLAIN NORMAL SERIES
19	4	ISO 4032 NUT M10 STEEL GRADE A HEXAGON

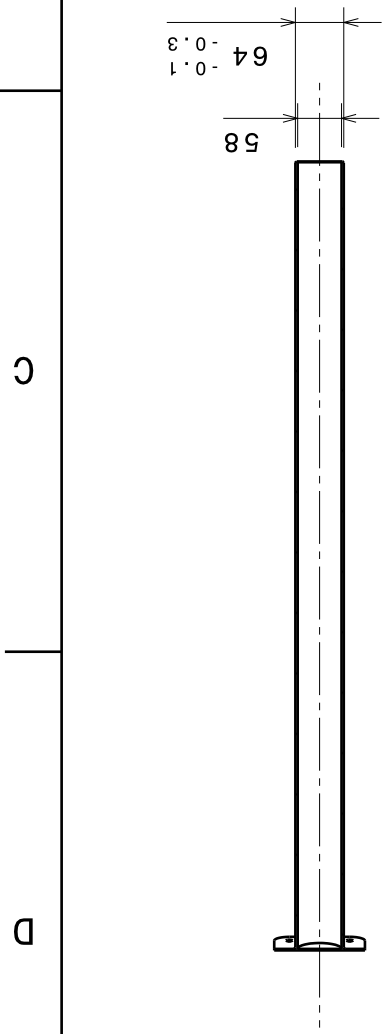
A B C D



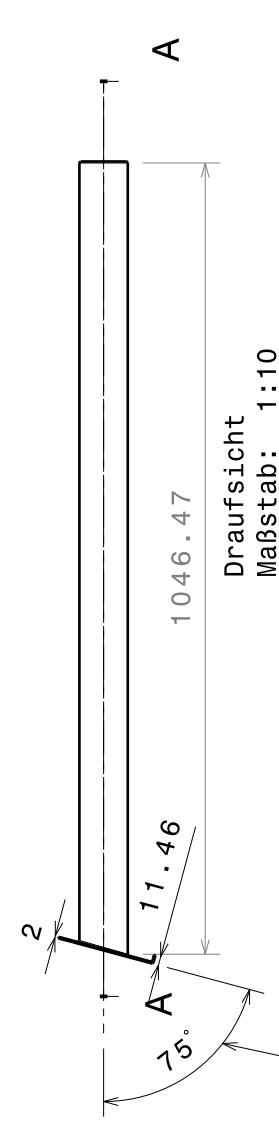
<p>This drawing is our property. It can't be reproduced or communicated without our written agreement.</p>		<p><b>Traegerprofil</b></p>	
<p>DRAWN BY JW</p>	<p>DATE 31.05.2016</p>	<p>Material <b>1.4301 (V2A)</b></p>	
<p>CHECKED BY XXX</p>	<p>DATE XXX</p>	<p>SIZE <b>A4</b></p>	<p>DRAWING NUMBER <b>001</b></p>
<p>DESIGNED BY XXX</p>	<p>DATE XXX</p>	<p>SCALE <b>1:25</b></p>	<p>WEIGHT (kg) <b>6,975</b></p>
		<p>SHEET <b>1/1</b></p>	<p>REV <b>X</b></p>

4 3 2 1 A

4 3 2 1 A

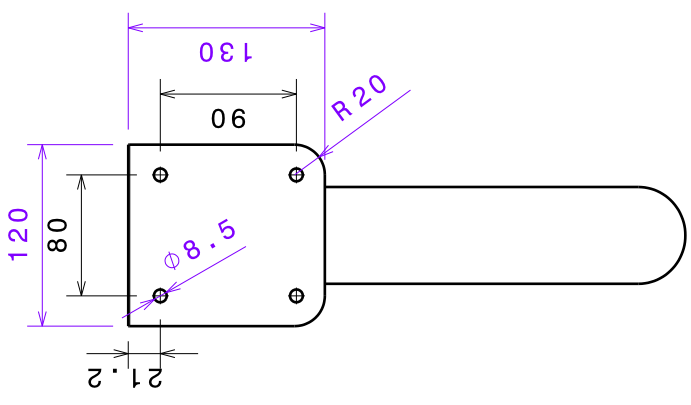


SchnittA-A  
Maßstab: 1:10



Draufsicht  
Maßstab: 1:10

Der Winkel muss am Fahrzeug ermittelt werden, damit die Karmann Stoßstange richtig steht



Isometrische Ansicht  
Maßstab: 1:5

This drawing is our property. It can't be reproduced or communicated without our written agreement.		TRAEGERROHR	
DRAWN BY JW	DATE 24.05.2016	Material 1.4301 (V2A)	
CHECKED BY XXX	DATE XXX	SIZE A4	DRAWING NUMBER 001
DESIGNED BY XXX	DATE XXX	SCALE 1:1	WEIGHT (kg) 5,0
		SHEET 1/1	REV X

4 3 2 1 A